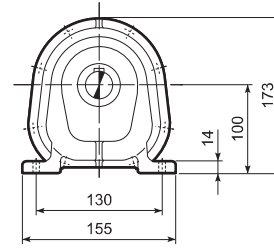
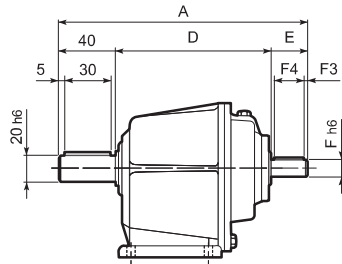
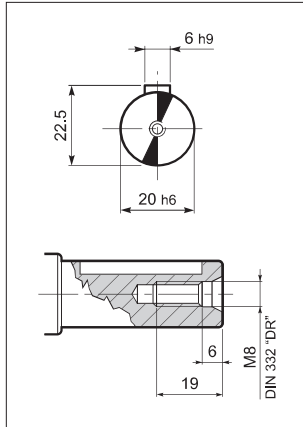
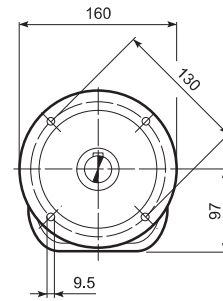
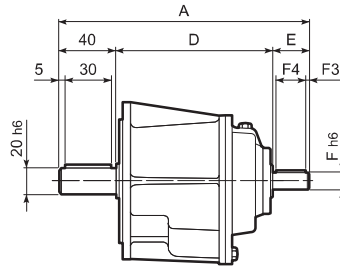
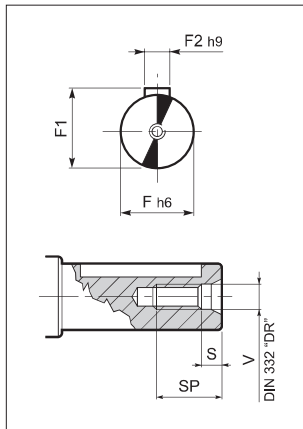


OUTPUT








**P
DP**

INPUT



**F
DF**

	AS 20											
	A	D	E	F	F1	F2	F3	F4	V	S	SP	
 AS 20 P_HS	233	153	40	19	21,8	6	5	30	M6	5	16	6,4
 AS 20 DP_HS	230	153	40	16	21,8	5	5	30	M6	5	16	6
 AS 20 F_HS	233	153	40	19	21,8	6	5	30	M6	5	16	6,4
 AS 20 DF_HS	230	153	40	16	18,8	5	5	30	M6	5	16	6